

180mm AC Servo Motors

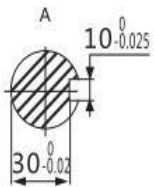
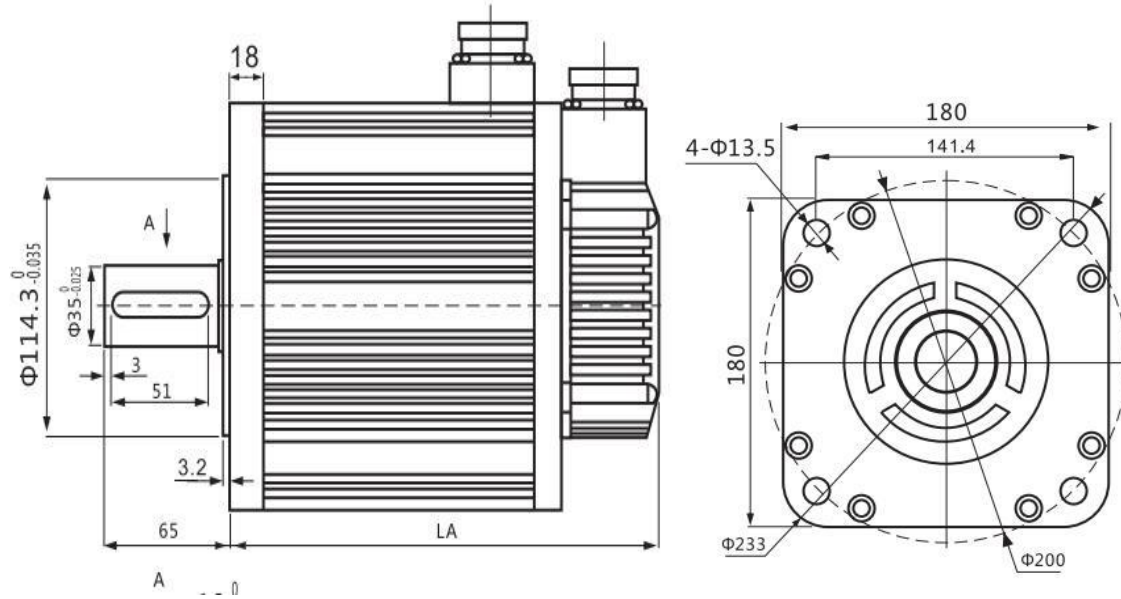
Specifications :

Motor Model	LCMT-27M02-180M17215		LCMT-30M02-180M19015		LCMT-45M02-180M21520		LCMT-29M02-180M27010									
Rated Power (KW)	2.7		3.0		4.5		2.9									
Rated Voltage (V)	220	380	220	380	220	380	220	380								
Rated Current (A)	10.5	6.5	12	7.5	16	9.5	12	7.5								
Rated Speed (rpm)	1500		1500		2000		1000									
Holding Torque (N.M)	17.2		19		21.5		27									
Peak Torque (N.M)	43		47		53		67									
Voltage constant(V/1000r/min)	112	167	97	158	84	140	138	224								
Torque coefficient (N.M/A)	1.64	2.65	1.58	2.5	1.34	2.26	2.25	3.6								
Rotor inertia(kg.m ²)	3.4×10 ⁻³		3.8×10 ⁻³		4.7×10 ⁻³		6.1×10 ⁻³									
Phase Resistance (Ω)	0.7	1.47	0.4	1.15	0.24	0.71	0.48	1.37								
Phase Inductance (MH)	3.5	7.8	2.42	6.4	1.45	4	3.26	8.6								
Machanical time-constant (Ms)	5	5.3	6	5.57	6	5.6	6.79	6.27								
Weight (KG)	19.5		20.5		22.2		25.5									
Encoder line number (PPR)	2500															
Insulation class	Class B (130)															
The operating of Evironmental Conditions	Temperature: -20℃~+50℃ Humidity: Below <90% (No dewing)															
Motor winding plue	Winding lead wire	U		V		W		PE								
	Plug serial number	2		3		4		1								
Encoder Plug	Signal lead wire	5V	0V	A+	B+	Z-	A-	B-	Z-	U+	V+	W+	U-	V-	W-	PE
	Plug serial number	2	3	4	5	6	7	8	9	10	11	12	13	14	15	1

Motor Model	LCMT-43M02-180M27015		LCMT-37M02-180M35010		LCMT-55M02-180M35015		LCMT-75M02-180M48015									
Rated Power (KW)	4.3		3.7		5.5		7.5									
Rated Voltage (V)	220	380	220	380	220	380	220	380								
Rated Current (A)	16	10	16	10	19	12	32	20								
Rated Speed (rpm)	1500		1000		1500		1500									
Holding Torque (N.M)	27		35		35		48									
Peak Torque (N.M)	67		70		70		96									
Voltage constant(V/1000r/min)	103	172	134	223	113	181	94	156								
Torque coefficient (N.M/A)	1.69	2.7	2.2	3.5	1.84	2.9	1.5	2.4								
Rotor inertia(kg.m2)	6.1×10^{-3}		8.6×10^{-3}		8.6×10^{-3}		9.5×10^{-3}									
Phase Resistance (Ω)	0.28	0.796	0.31	0.93	0.21	0.62	0.104	0.273								
Phase Inductance (MH)	1.74	4.83	3.28	9.1	1.57	4	0.77	2.14								
Machanical time-constant (Ms)	6.2	6	10.58	9.78	7.47	6.45	7.4	7.8								
Weight (KG)	25.5		30.5		30.5		40									
Encoder line number (PPR)	2500															
Insulation class	Class B (130)															
The operating of Evironmental Conditions	Temperature: -20℃~+50℃ Humidity: Below <90% (No dewing)															
Motor winding plue	Winding lead wire	U		V		W		PE								
	Plug serial number	2		3		4		1								
Encoder Plug	Signal lead wire	5V	0V	A+	B+	Z-	A-	B-	Z-	U+	V+	W+	U-	V-	W-	PE
	Plug serial number	2	3	4	5	6	7	8	9	10	11	12	13	14	15	1

Installaion Notes:

1. When mounting / dismantling parts to the end of the motor shaft, do not knock the shaft hard to prevent the encoder on the other end of the shaft
2. As far as possible to prevent the shaft seat vibration, to prevent bearing damage. Other requirements, please contact our company's technical engineers.

Dimensions:


规格	17.2N.m	19N.m	21.5N.m	27N.m	35N.m	48N.m
LA	226	232	243	262	292	346

