

130mm AC Servo Motors

Specifications :

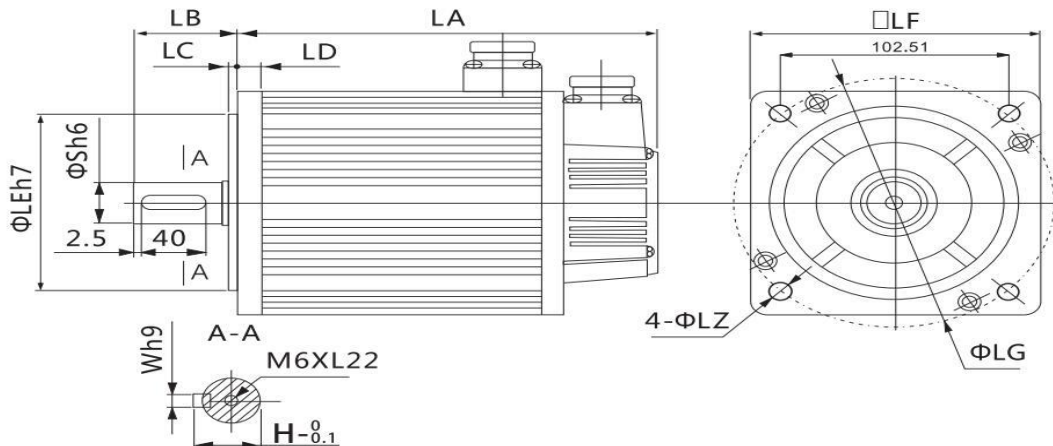
Motor Model	LCMT-10L02-130M04025	LCMT-13L02-130M05025	LCMT-15L02-130M06025	LCMT-20L02-130M07725	LCMT-10L02-130M10015	LCMT-15M02-130M10015	LCMT-26M02-130M10025	LCMT-23ML02-130M15015	LCMT-38M02-130M15025							
Rated Power (KW)	1.0	1.3	1.5	2.0	1.0	1.5	2.6	2.3	3.8							
Rated Voltage (V)	220	220	220	220	220	220	220	220	220							
Rated Current (A)	4.0	5.0	6.0	7.5	4.5	6.0	10	9.5	13.5							
Rated Speed (rpm)	2500	2500	2500	2500	1000	1500	2500	1500	2500							
Holding Torque (N.M)	4.0	5.0	6.0	7.7	10	10	10	15	15							
Peak Torque (N.M)	12	16	18	22	20	25	25	30	30							
Voltage constant (V/1000r/min)	72	68	65	68	140	103	70	114	67							
Torque coefficient (N.M/A)	1.0	1.0	1.0	1.03	2.2	1.67	1.0	1.58	1.11							
Rotor inertia(kg.m ²)	0.85×10 ⁻³	1.06×10 ⁻³	1.26×10 ⁻³	1.53×10 ⁻³	1.94×10 ⁻³	1.94×10 ⁻³	1.94×10 ⁻³	2.77×10 ⁻³	2.77×10 ⁻³							
Phase Resistance (Ω)	2.76	1.84	1.21	1.01	2.7	1.29	0.73	1.1	0.49							
Phase Inductance (MH)	6.42	4.9	3.87	2.94	8.8	5.07	2.45	4.45	1.68							
Machanical time-constant (Ms)	2.32	2.66	3.26	3.8	3.26	3.93	3.36	4.05	3.43							
Weight (KG)	7.7	8.2	8.9	10	11.5	11.5	11.5	14.4	14.4							
Encoder line Number (PPR)	2500															
Insulation Class	Class B (130℃)															
Safety Class	IP66															
The operating of Environmental conditions	Temperature: -20℃~+50℃ Humidity: Below <90% (No dewing)															
Motor winding	Winding lead wire	U			V			W			PE					
Plue	Plug serial number	2			3			4			1					
Encoder plug	Signal lead wire	5V	0V	A+	B+	Z+	A-	B-	Z-	U+	V+	W+	U-	V-	W-	PE
	Plug serial number	2	3	4	5	6	7	8	9	10	11	12	13	14	15	1

Installation Notes:

1. When mounting / dismantling parts to the end of the motor shaft, do not knock the shaft hard to prevent the encoder on the other end of the shaft
2. As far as possible to prevent the shaft seat vibration, to prevent bearing damage. Other requirements, please contact our company's technical engineers.

130 series									
Rated Torque(N.M)	4	5	6	7.7	10			15	
					1000rpm	1500rpm	2500rpm	1500rpm	2500rpm
LA	166	171	179	192	213			209	
LB	57	57	57	57	57			57	
LC	5	5	5	5	5			5	
LD	14	14	14	14	14			14	
LE	110	110	110	110	110			110	
LF	130	130	130	130	130			130	
LG	145	145	145	145	145			145	
LZ	9	9	9	9	9			9	
S	22	22	22	22	22			22	
H	24.5	24.5	24.5	24.5	24.5			24.5	
W	6	6	6	6	6			6	

Dimensions:



130mm AC Servo Motors Photo



