

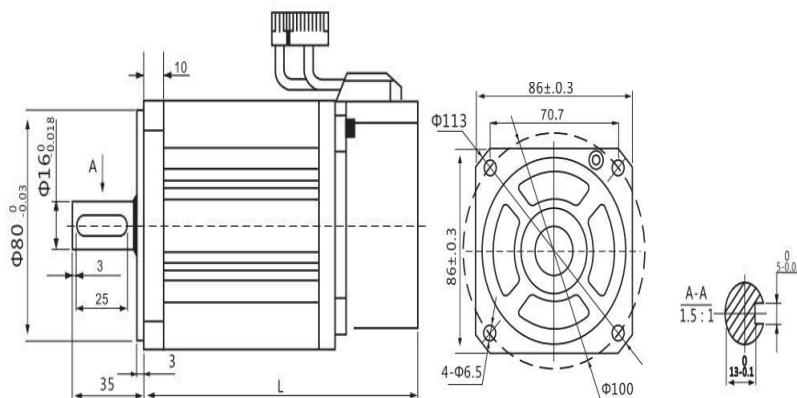
90mm AC Servo Motors

Specifications

Motor Model	LCMT-07L02-90M02430	LCMT-07M02-90M03520	LCMT-10M02-90M04025
Rated Power (KW)	0.75	0.75	1.0
Rated Voltage (V)	220	220	220
Rated Current (A)	3	3	4
Rated Speed (rpm)	3000	2000	2500
Holding Torque (N.M)	2.4	3.5	4
Peak Torque (N.M)	7.1	10.5	12
Peak current (A)	9	7.5	12
Voltage constant (V/1000r/min)	51	67	60
Torque coefficient (N.M/A)	0.8	1.2	1.0
Rotor inertia(kg.m ²)	2.45×10 ⁻⁴	3.4×10 ⁻⁴	3.7×10 ⁻⁴
Phase Resistance (Ω)	3.2	4.06	2.69
Phase Inductance (MH)	7.0	9.7	6.21
Machanical time-constant (Ms)	2.2	2.39	2.3
Weight (KG)	3.4	3.8	4.13
Encoder line Number (PPR)	2500		
Insulation Class	Class B (130℃)		
Safety Class	IP66		

Dimensions:

Motor Shaft :



Item	L
90M02430	149
90M03520	171
90M04025	181

Notes:

1. When mounting / dismantling parts to the end of the motor shaft, do not knock the shaft hard to prevent the encoder on the other end of the shaft
2. As far as possible to prevent the shaft seat vibration, to prevent bearing damage. Other requirements, please contact our company's technical engineers.

90mm AC Servo Motors Photo

