

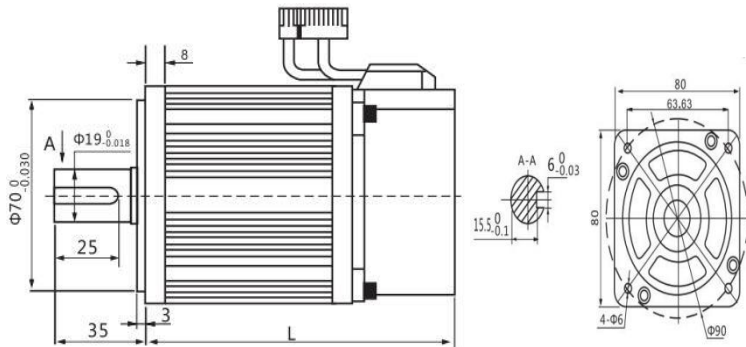
80mm AC Servo Motors

Specifications

Motor Model	LCMT-04L02-80M01330	LCMT-07L02-80M02430	LCMT-07M02-80M03520	LCMT-10M02-80M04025
Rated Power (KW)	0.4	0.75	0.75	1.0
Rated Voltage (V)	220	220	220	220
Rated Current (A)	2	3	3	4.4
Rated Speed (rpm)	3000	3000	2000	2500
Holding Torque (N.M)	1.27	2.39	3.5	4
Peak Torque (N.M)	3.8	7.1	10.5	12
Peak current (A)	6	9	9	13.2
Voltage constant (V/1000r/min)	40	48	71	56
Torque coefficient (N.M/A)	0.64	0.8	1.17	0.9
Rotor inertia(kg.m ²)	1.05×10^{-4}	1.82×10^{-4}	2.63×10^{-4}	2.97×10^{-4}
Phase Resistance (Ω)	4.44	2.88	3.65	1.83
Phase Inductance (MH)	7.93	6.4	8.8	4.72
Machanical time-constant (Ms)	1.66	2.22	2.4	2.58
Weight (KG)	1.78	2.86	3.7	3.8
Encoder line Number (PPR)	2500			
Insulation Class	Class B(130°C)			
Safety Class	IP65			

Dimensions:

Motor Shaft :



Item	L
80M01330	123
80M02430	150
80M03520	178
80M04025	190

Notes:

- When mounting / dismantling parts to the end of the motor shaft, do not knock the shaft hard to prevent the encoder on the other end of the shaft
- As far as possible to prevent the shaft seat vibration, to prevent bearing damage. Other requirements, please contact our company's technical engineers.

80mm AC Servo Motors Photo

