

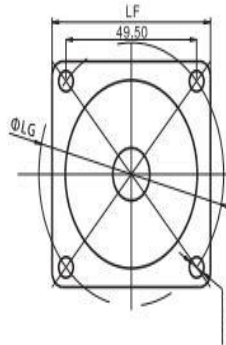
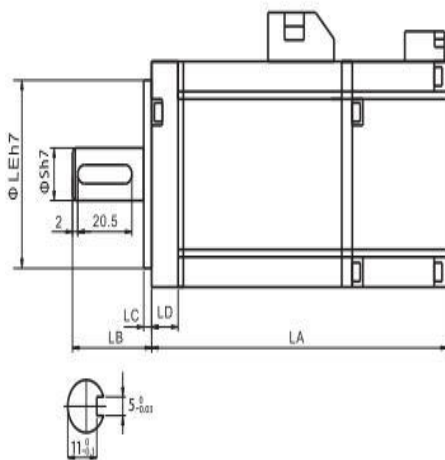
60mm AC Servo Motors

Specifications

Motor Model	LCMT-02L02 60M00630	LCMT-04L02-60M01330	LCMT-06L02-60M01930
Rated Power (KW)	0.2	0.4	0.6
Rated Voltage (V)	220	220	220
Rated Current (A)	1.5	2.8	3.5
Rated Speed (rpm)	3000	3000	3000
Holding Torque (N.M)	0.637	1.27	1.91
Peak Torque (N.M)	1.911	3.8	5.73
Voltage constant (V/1000r/min)	28	28	28
Torque coefficient (N.M/A)	0.42	0.5	0.55
Rotor inertia(kg.m ²)	0.17×10 ⁻⁴	0.302×10 ⁻⁴	0.438×10 ⁻⁴
Phase Resistance (Ω)	11.6	5.83	3.49
Phase Inductance (MH)	22	12.23	8.47
Machanical time-constant (Ms)	1.9	2.1	2.4
Weight (KG)	1.11	1.33	1.78
Encoder line Number (PPR)	2500		
Insulation Class	Class B(130℃)		
Safety Class	IP64		

Dimensions:

Motor Shaft :



Item	60M00630	60M01330	60M01930
LA	115	140	154
LB	30	30	30
LC	3	3	3
LD	7	7	6
LE	50	50	50
LF	60	60	61.5
LG	70	70	70
LZ	4.5	5.5	5.5
S	14	14	14

Notes:

1. When mounting / dismantling parts to the end of the motor shaft, do not knock the shaft hard to prevent the encoder on the other end of the shaft
2. As far as possible to prevent the shaft seat vibration, to prevent bearing damage. Other requirements, please contact our company's technical engineers.

60mm AC Servo Motors Photo

