

57HS Series 2/3 Phase Hybrid closed loop Stepper Motors

General Specifications

Item	Specification
Step Angle Accuracy	± 5% (whole step)
Resistance Accuracy	± 10% (20°C)
Inductance Accuracy	± 20% (1KHZ)
Temperature Rise	80°C max (Rated current, 2-phase power)
Ambient Temperature	-20°C ~ +50°C
Insulation Resistance	100M Ω Min 500 VDC
Dielectric Strength	500V AC 1 minute
Allowable Radial Load	0.02mm Max (450g load)
Allowable Thrust Load	0.08mm Max (450g load)
Radial maximum load	75N (From the flange surface 20mm)
Axial maximum load	15N



相数 2Phase 相数 3Phase

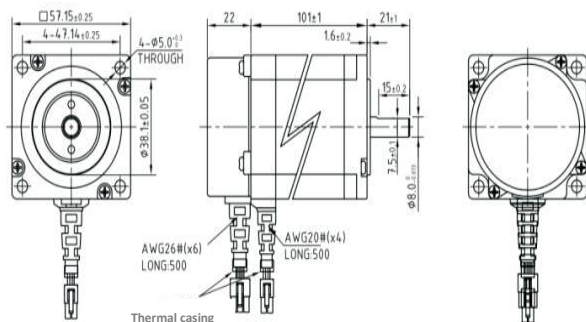
CE RoHS

Specifications

Model	Step angle (°)	Motor length (mm)	Holding torque (N.M)	Current (A/phase)	Rotor inertia (g.cm ²)	NO of encoder lines (PPR)	Weight (kg)
LC57H355	1.2	55+22	1.0	3.5	300	1000	1.0
LC57H380	1.2	80+22	2.0	3.5	500	1000	1.4
LC57H3100	1.2	100+22	3.0	4.0	700	1000	1.8
LC57H276	1.2	76+22	2.0	3.0	480	1000	1.2
LC57H2100	1.2	100+22	3.0	4.0	720	1000	1.7

Dimensions:

DIMENSIONS unit=mm

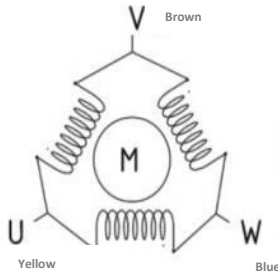


Motor Shaft :

Item	Shaft (mm)	Axis stretch (mm)	Axis length (mm)
LC57H355	8.0	Terrace0.5x15	21
LC57H380	8.0	Terrace0.5x15	21
LC57H3100	8.0	Terrace0.5x15	21
LC57H276	8.0	Terrace0.5x15	21
LC57H2100	8.0	Terrace0.5x15	21

3Phase Motor Wiring Diagram:

MOTOR CONNECTIONS

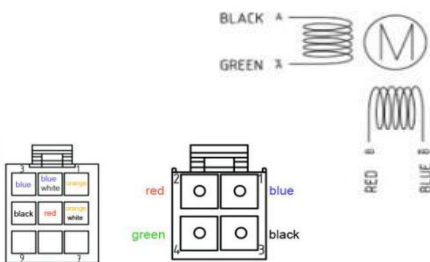


Encode Cotrol

1	yellow	EGND
2	red	+5VCC
3	blue	EA-
4	green	EA+
5	black	EB-
6	white	EB+

2Phase Motor Wiring Diagram:

MOTOR CONNECTIONS



Encode Cotrol

1	Black	EGND
2	Red	+5VCC
3	Blue/ white	EA-
4	Blue	EA+
5	Orange/ White	EB-
6	Orange	EB+

Note:

1. Do not connect the motor to the driver.
2. Due to different driving conditions, the motor may have a significant fever situation.
The surface temperature of the motor is allowed to exceed 85 ° C during operation.
3. When installing the motor, be sure to use the front end cover of the motor to install the nozzle only, and pay attention to the tolerance, to ensure the concentricity between the motor shaft and the load.