

86HS Series 2 Phase Hybrid Stepper Motors

General Specifications

Item	Specification
Step Angle Accuracy	± 5% (whole step)
Resistance Accuracy	± 10% (20°C)
Inductance Accuracy	± 20% (1KHZ)
Temperature Rise	80°C max (Rated current, 2-phase power)
Ambient Temperature	-20°C ~ +50°C
Insulation Resistance	100M Ω Min 500 VDC
Dielectric Strength	500V AC 1 minute
Allowable Radial Load	0.02mm Max (450g load)
Allowable Thrust Load	0.08mm Max (450g load)
Radial maximum load	130N (From the flange surface 20mm)
Axial maximum load	30N



相数 2Phase

CE RoHS

Specifications

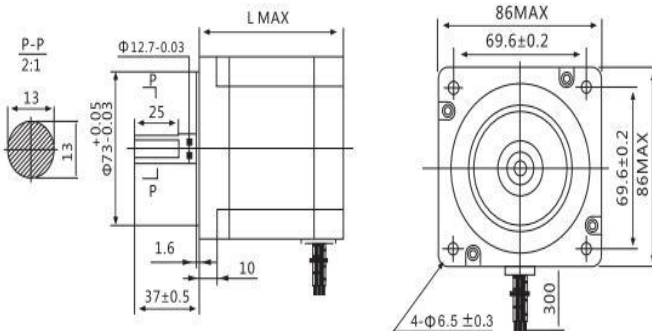
Model	Step angle (°)	Motor length (mm)	Current (A/phase)	Resistance (Ω/phase)	Inductance (mH/phase)	Holding torque (N.M)	Rotor inertia (g.cm ²)	Leads Wire No.	Weight (kg)
LC86HS6801	1.8	66	3.0	0.6	1.6	3.3	1000	8	2
LC86HS8801	1.8	80	4.4	0.7	3.0	4.5	1400	8	2.5
LC86HS9801	1.8	98	4.4	0.98	4.1	7.5	2100	8	3.4
LC86HS4801	1.8	118	6.0	1.1	5.5	8.5	2700	8	4.1
LC86HS2801	1.8	128	6.0	1.3	5.8	10	3200	8	4.5
LC86HS5801	1.8	150	6.0	1.4	9.2	12	4000	8	5.4

Notes:

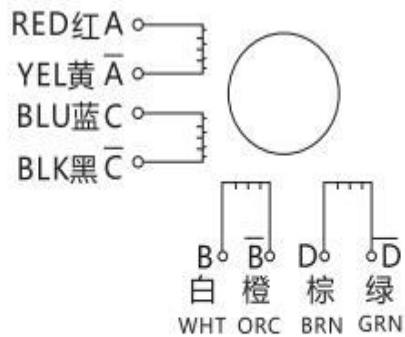
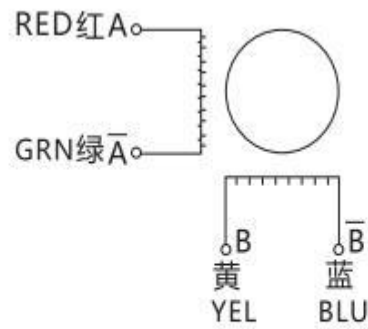
The above is only for representative products, We can according to customer requirements to remake.

Dimensions:

Motor Shaft :



Item	Shaft (mm)	Axis stretch (mm)	Axis length (mm)
LC86HS6801	9.5	Terrace 1x25	32
LC86HS8801	12.7	Terrace 1x25	32
LC86HS9801	12.7/14	Flat Key 5x5x25	32
LC86HS4801	12.7/14	Flat Key 5x5x25	32
LC86HS2801	12.7	Flat Key 5x5x25	32
LC86HS5801	12.7/15.8	Flat Key 5x5x25	32

Wiring Diagram :

UNI/BI-POLAR(8 LEADS)

BI-POLAR (4LEADS)
Note:

1. Do not connect the motor to the driver.
2. Due to different driving conditions, the motor may have a significant fever situation.
The surface temperature of the motor is allowed to exceed 85 ° C during operation.
3. When installing the motor, be sure to use the front end cover of the motor to install the nozzle only, and pay attention to the tolerance, to ensure the concentricity between the motor shaft and the load.