

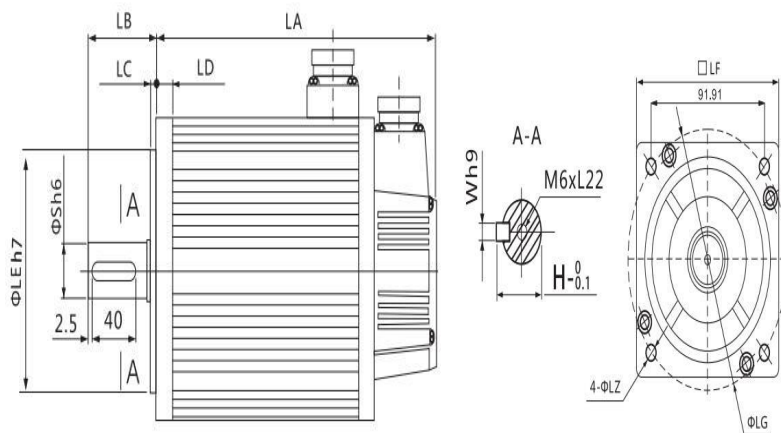
110mm AC Servo Motors

Specifications

Motor Model	LCMT-06L02-110M02030	LCMT-08M02-110M04020	LCMT-12L02-110M04030	LCMT-15L02-110M05030	LCMT-12M02-110M06020	LCMT-18L02-110M06030
Rated Power (KW)	0.6	0.8	1.2	1.5	1.2	1.8
Rated Voltage (V)	220	220	220	220	220	220
Rated Current (A)	2.5	3.5	5.0	6.0	4.5	6.0
Rated Speed (rpm)	3000	2000	3000	3000	2000	3000
Holding Torque (N.M)	2	4	4	5	6	6
Peak Torque (N.M)	6	12	12	15	12	18
Voltage constant (V/1000r/min)	56	79	54	62	83	60
Torque coefficient (N.M/A)	0.8	1.14	0.8	0.83	1.3	1.0
Rotor inertia(kg.m ²)	0.3×10 ⁻³	0.54×10 ⁻³	0.54×10 ⁻³	0.63×10 ⁻³	0.76×10 ⁻³	0.76×10 ⁻³
Phase Resistance (Ω)	3.6	2.41	1.09	1.03	1.46	0.81
Phase Inductance (MH)	8.32	7.3	3.3	3.43	4.7	2.59
Machanical time-constant (Ms)	2.3	3.0	3.0	3.33	3.2	3.2
Weight (KG)	4.5	5.2	5.5	6.1	6.7	6.7
Encoder line Number (PPR)	2500					
Insulation Class	Class B (130℃)					
Safety Class	IP65					

Dimensions:

Motor Shaft :



110 Series				
Rated torque (N.m)	2	4	5	6
LA	159	189	204	219
LB	55	55	55	55
LC	5	5	5	5
LD	12	12	12	12
LE	95	95	95	95
LF	110	110	110	110
LG	130	130	130	130
LZ	9	9	9	9
S	19	19	19	19
H	21.5	21.5	21.5	21.5
W	6	6	6	6

Notes:

Other requirements, please contact our company's technical engineers.

110mm AC Servo Motors Photo

