



Instruction Book Of MC425



Shenzhen Xinlichuan Electric Co.,Ltd.

Add: Area B,Floor 8, Block20 , Guang Qian Industrial Zone ,
No.3 Long Zhu Road,Nanshan District,Shen Zhen,Guang Dong,China

2 Phase Digital Stepper Driver

18-36VDC / 2.5A

CATALOG

1. Introduction.....	3
◆ Introduction.....	3
◆ Features.....	3
◆ Applications.....	4
2. Specifications.....	4
◆ Electrical Specifications	4
◆ Operating Environment.....	4
◆ Installation Specifications	5
◆ Elimination of Heat.....	5
3. External Terminal Instructions.....	6
◆ Control Signal Connector.....	6
◆ Power Interface.....	6
4. Control Signal Connector Interface.....	7
◆ NPN Connection.....	8
◆ Control Signals Sequence Chart.....	9
5. Connecting the Motor.....	10
◆ Connections to 4-lead Motors.....	10
◆ Connections to 8-lead Motors.....	10

6. Power Supply Selection.....	11
◆ Supply Voltage of Power Supply Selection.....	11
◆ Output Current of Power Supply Selection.....	12
7. Selecting Microstep Resolution and Output Current.....	12
◆ Microstep Resolution Selection.....	12
◆ Current Settings.....	13
◆ Standstill current setting.....	14
8. Wiring Notes.....	14
9. Protection Functions.....	15
◆ Over-current Protection.....	15
◆ Over-voltage Protection.....	15
◆ Hase Error Protection.....	15
10. Frequently Asked Questions.....	16
◆ Problem Symptoms and Possible Causes.....	16

1. Introduction

◆ Introduction

Lichuan's MC425 is a kind of digital low voltage stepper motor driver, using the latest 32-bit DSP technology, suitable for driving 2 phase 35,39 and 42 series stepper motors, with good performance at low speed. Arbitrary microstepping within 32 and any current value within the rated current can be set according to users' needs. It can meet the needs of most small equipment applications. Using built-in micro subdivision technology, even in the low subdivision conditions, it can also achieve the effect of high subdivision. The operation is very smooth both at medium and low speed, very little noise. MC425 can drive 2 phase stepper motors with 4-wire and 8-wire, precision current control make the motor greatly reduce fever, and small volume.

◆ Features

- Input voltage range: 18~ 36 VDC;
- Output current: 0.5A ~ 2.5A;
- Resolution: 0.1A
- Pulse input frequency: 75KHZ;
- Subdivision range: 400-6400PPR
- 4 selectable resolutions up to 6400 steps/rev;
- Support PUL/DIR;
- Signal input: single end, pulse/direction;
- Self-adjustment technology;
- Static current automatically by half;
- Short-voltage, over-voltage, over-current protections;
- Optical isolation signal input, strong anti-interference ability;

◆ Applications

Suitable for a wide range of stepping motors, from NEMA size 14 to 23. It can be used in various kinds of machines, such as X-Y tables, engraving machines, labeling machines, laser cutters, pick-place devices, and so on. Particularly adapt to the applications desired with low noise, low heating, high speed and high precision.

2. Specifications

◆ Electrical Specifications (Tj = 25°C/77°F)

Parameters	Min	Typical	Max	Unit
Max peak current	0.5	-	2.2	A
Supply voltage	18	24	36	VDC
Logic signal current	7	10	16	mA
Pulse input frequency	0	-	75	KHZ
Isolation resistance	500	-	-	mΩ

◆ Operating Environment

Environment	Avoid dust, oil fog and corrosive gases
Ambient Temperature	0°C — 50°C
Humidity	40%RH — 90%RH
Operating Temperature	70°C Max
Vibration	5.9m/s ² Max
Storage Temperature	-20°C — 65°C
Weight	150g

◆ Installation Specifications (unit: mm)

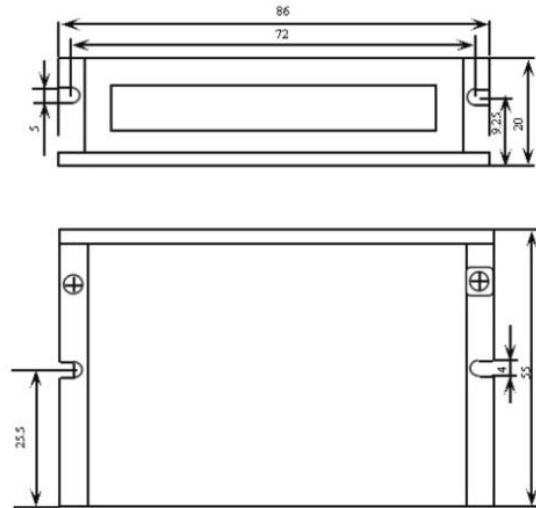


Figure 1: Installation specifications

◆ Elimination of Heat

- Driver's reliable working temperature should be $<70^{\circ}\text{C}$ (158°F), and motor working temperature should be $<80^{\circ}\text{C}$ (176°F);
- It is recommended to use automatic idle-current mode, namely current automatically reduce to 60% when motor stops, so as to reduce driver heating and motor heating;
- It is recommended to install the driver vertically to maximize heat sink area. Use forced cooling method to cool the system if necessary.

3. External Terminal nstructions

◆ Control Signal Connector

Pin	Function
PUL	Pulse input single.
DIR	Direction input signal: is used to change the motor running direction. For reliable motion response, DIR signal should be set up ahead of PUL signal at least $5\ \mu\text{s}$. The initial direction of the motor relates to the motor winding wiring, it will change the motor initial operation direction by exchanging any phase winding (such as A+, A-).
OPTO	Pulse / direction / enable signal: positive terminal of power, the default external 5V. such as when use the +12V or +5V, additional resistance need to be connected in series.
ENA	Enable signal: This signal is used for enabling/disabling the driver. When ENA connect low level (or internal light coupling conduction), the driver will cut off the motor current of each phase to make it in free state, the step pulse does not respond. Usually left UNCONNECTED (ENABLED).

◆ Power Interface

Pin	Function
GND	Power Ground.
+Vdc	Power supply, 18~36VDC, 24V recommended
A+, A-	Motor Phase A
B+, B-	Motor Phase B

4. Control Signal Connector Interface

◆ NPN connection

The MC425 can accept differential and single-ended inputs (including open-collector and NPN output). The MC425 has 3 optically isolated logic inputs. These inputs are isolated to minimize or eliminate electrical noises coupled onto the drive control signals.

Recommend use line driver control signals to increase noise immunity of the driver in interference environments. In the following figures, connections to open-collector and NPN signals are illustrated.

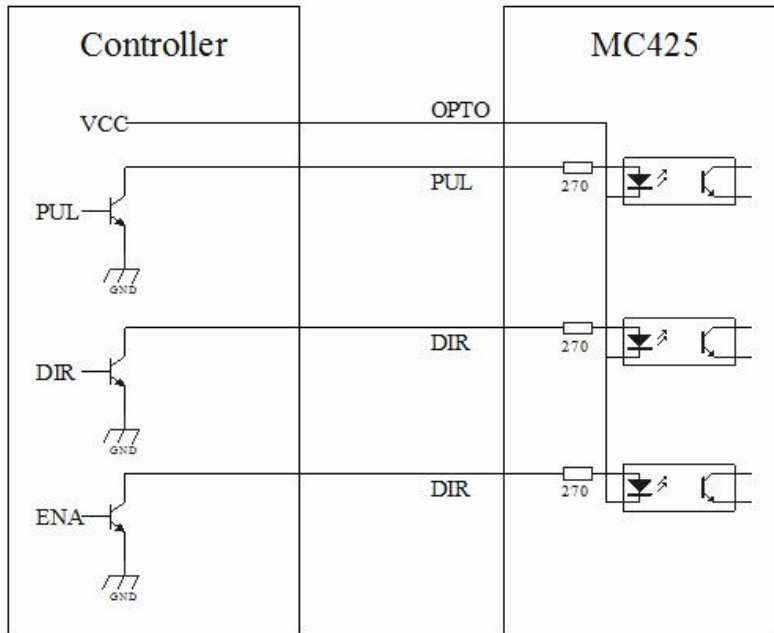


Figure 2: Connections to open-collector signal (common-anode)

◆ Control Signals Sequence Chart

In order to avoid some fault operations and deviations, PUL, DIR and ENA should abide by some rules, shown as following diagram:

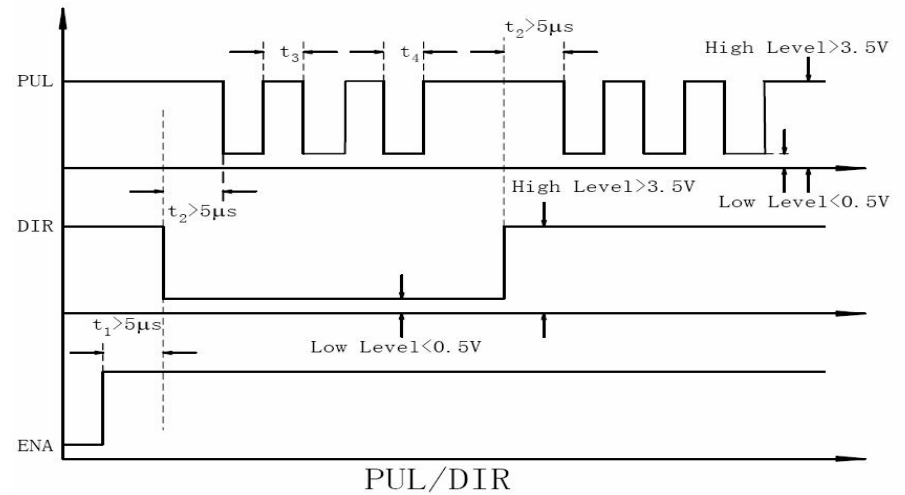


Figure 5: Sequence chart of control signals

Remark:

- t1: ENA must be ahead of DIR by at least 5 s. Usually, ENA+ and ENA- are NC (not connected). “See Connector P1 Configurations” for more information.
- t2: DIR must be ahead of PUL effective edge by 5 s to ensure correct direction;
- t3: Pulse width not less than 1.5 s;
- t4: Low level width not less than 1.5 s.

5. Connecting the Motor

Lichuan's M425 can drive any 2-phase and 4-phase hybrid stepping motors.

◆ Connections to 4-lead Motors

4 lead motors are the least flexible but easiest to wire. Speed and torque will depend on winding inductance. In setting the driver output current, multiply the specified phase current by 1.4 to determine the peak output current.

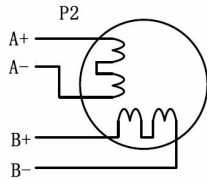


Figure 6: 4-lead Motor Connections

◆ Connections to 8-lead Motors

8 lead motors offer a high degree of flexibility to the system designer in that they may be connected in series or parallel, thus satisfying a wide range of applications.

• Series Connections

A series motor configuration would typically be used in applications where a higher torque at lower speeds is required. Because this configuration has the most inductance, the performance will start to degrade at higher speeds. In series mode, the motors should also be run at only 70% of their rated current to prevent over heating.

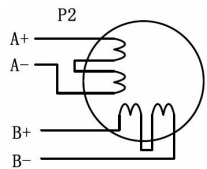


Figure 7: 8-lead motor series connections

• Parallel Connections

An 8 lead motor in a parallel configuration offers a more stable, but lower torque at lower speeds. But because of the lower inductance, there will be higher torque at higher speeds. Multiply the per phase (or unipolar) current rating by 1.96, or the bipolar current rating by 1.4, to determine the peak output current.

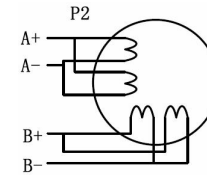


Figure 8: 8-lead motor parallel connections

6. Power Supply Selection

To achieve good driving performances, it is important to select supply voltage and output current properly. Generally speaking, supply voltage determines the high speed performance of the motor, while output current determines the output torque of the driven motor (particularly at lower speed). Higher supply voltage will allow higher motor speed to be achieved. If the motion speed requirement is low, it's better to use lower supply voltage to decrease noise, heating and improve reliability.

◆ Supply Voltage of Power Supply Selection

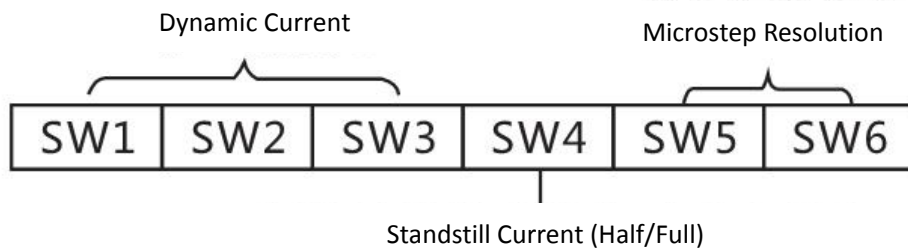
The selection of power supply voltage of the hybrid stepping motor driver is generally a wide range, and the supply voltage is usually chosen according to the operating speed and response requirements of the motor. If the motor operating speed is high or the response requirements are fast, then the voltage value is also high, but pay attention to the supply voltage ripple can not exceed the maximum input voltage of the driver, otherwise it may damage the driver. If the motor operating speed is low, you can consider the lower voltage selection.

◆ Output Current of Power Supply Selection

Power supply current is generally based on the driver's output current "I". If use linear power supply, the supply current is generally 1.1-1.3 times of "I"; if use the switching power supply, the supply current is generally 1.5-2 times of "I". If a power supply supplies power to a few drivers at the same time, it should be considered that the power supply current should be properly doubled.

7. Selecting Microstep Resolution and Output Current

This driver uses an 6-bit DIP switch to set microstep resolution, and motor operating current, as shown below:



◆ Microstep Resolution Selection

Microstep resolution is set by SW5, 6, of the DIP switch as shown in the following table:

Microstep	Steps/rev.(for 1.8° motor)	SW5	SW6
2	400	ON	ON
8	1600	OFF	ON
16	3200	ON	OFF
32	6400	OFF	OFF

◆ Current Settings

For a given motor, higher driver current will make the motor to output more torque, but at the same time causes more heating in the motor and driver. Therefore, output current is generally set to be such that the motor will not overheat for long time operation. Since parallel and serial connections of motor coils will significantly change resulting inductance and resistance, it is therefore important to set driver output current depending on motor phase current, motor leads and connection methods. Phase current rating supplied by motor manufacturer is important in selecting driver current, however the selection also depends on leads and connections.

The first 3 bits (SW1, 2, 3) of the DIP switch are used to set the Dynamic current.

Select a setting closest to your motor's required current.

Peak Current	SW1	SW2	SW3
0.7A	OFF	ON	ON
1.0A	ON	OFF	ON
1.3A	OFF	OFF	ON
1.6A	ON	ON	OFF
1.9A	OFF	ON	OFF
2.2A	ON	OFF	OFF
2.5A	OFF	OFF	OFF

Notes: Due to motor inductance, the actual current in the coil may be smaller than the dynamic current setting, particularly under high speed condition.

◆ Standstill current setting

SW4 is used for this purpose.

OFF meaning that the standstill current is set to be half of the selected working current, ON meaning that standstill current is set to be the same as the selected working current. The current automatically reduced to 60% of the selected dynamic current one second after the last pulse. Theoretically, this will reduce motor heating to 36% (due to $P=I^2 \cdot R$) of the original value. If the application needs a different standstill current, please contact Lichuan.

8. Wiring Notes

- In order to improve anti-interference performance of the Driver, it is recommended to use twisted pair shield cable.
- To prevent noise incurred in PUL/DIR signal, pulse/direction signal wires and motor wires should not be tied up together. It is better to separate them by at least 10 cm, otherwise the disturbing signals generated by motor will easily disturb pulse direction signals, causing motor position error, system instability and other failures.
- If a power supply serves several drivers, separately connecting the Drivers is recommended instead of serial connection.
- It is prohibited to pull and plug the driver terminal while the driver is powered ON, because there is high current flowing through motor coils (even when motor is at standstill). Pulling or plugging the driver terminal with power on will cause extremely high back-EMF voltage surge, which may damage the driver.

9. Protection Functions

To improve reliability, the driver incorporates some built-in protection functions. The MC425 uses one RED LED to indicate what protection has been activated. The periodic time of RED is 3s (seconds), and how many times the RED turns on indicates what protection has been activated. Because only one protection can be displayed by RED LED, so the Driver will decide what error to display according to their priorities. See the following Protection Indications table for displaying priorities.

◆ Over-current Protection

Over-current protection will be activated when continuous current exceeds 16A or in case of short circuit between motor coils or between motor coil and ground, and RED LED will turn on once within each periodic time (3 s).

◆ Over-voltage Protection

When power supply voltage exceeds 80 ± 1 VDC, protection will be activated and RED LED will turn on twice within each periodic time (3 s).

◆ Phase Error Protection

Motor power lines wrong & not connected will activate this protection. RED LED will turn on four times within each periodic time (3 s).

Attention:

When above protections are active, the motor shaft will be free or the LED will turn red. Reset the Driver by repowering it to make it function properly after removing above problems. Since there is no protection against power leads (+, -) reversal, it is critical to make sure that power supply leads correctly connected to Driver. Otherwise, the Driver will be damaged instantly.

10. Frequently Asked Questions

In the event that your Driver doesn't operate properly, the first step is to identify whether the problem is electrical or mechanical in nature. The next step is to isolate the system component that is causing the problem. As part of this process you may have to disconnect the individual components that make up your system and verify that they operate independently. It is important to document each step in the troubleshooting process. You may need this documentation to refer back to at a later date, and these details will greatly assist our technical support staff in determining the problem for you.

Many of the problems that affect motion control systems can be traced to electrical noise, controller software errors, or mistake in wiring.

◆ **Problem Symptoms and Possible Causes**

Symptoms	Possible Problems
Motor is not rotating	Microstep resolution setting is wrong DIP switch current setting is wrong Fault condition exists
Motor rotates in the wrong direction	Motor phases may be connected in reverse
Driver in fault	DIP switch current setting is wrong Something wrong with motor coil Control signal is too weak
Erratic motor motion	Control signal is too weak Control signal is interfered Wrong motor connection Something wrong with motor coil Current setting is too small, losing steps
Motor stalls during acceleration	Motor is undersized for the application Acceleration is set too high Power supply voltage too low
Excessive motor and Driver heating	Inadequate heat sinking / cooling Automatic current reduction function not being utilized Current is set too high